

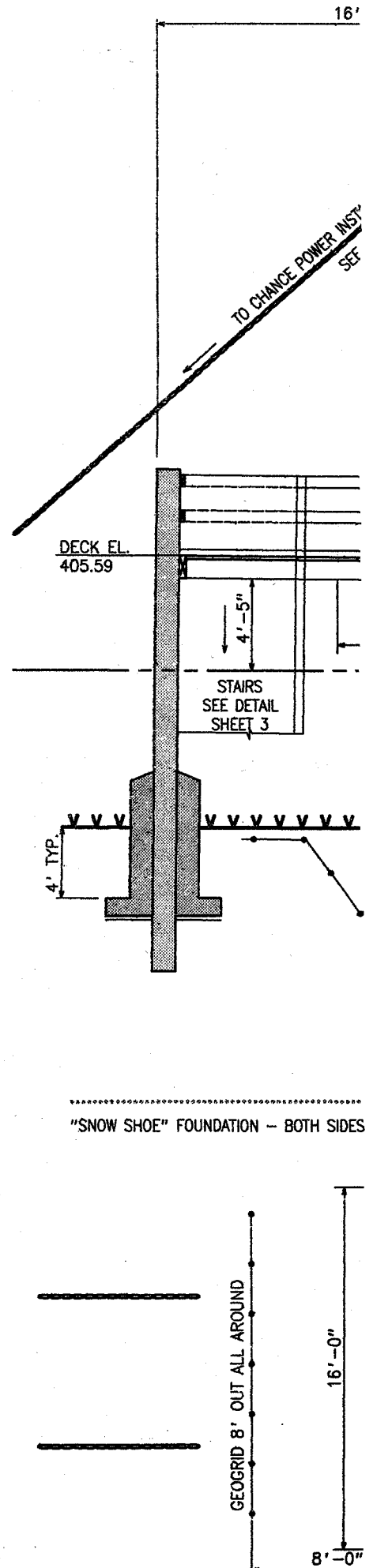
The New Jersey Division of Parks and Forestry has total proprietary rights over the design documents referenced in this publication. Therefore, use of these materials by other organizations or consultants without the explicit approval of the New Jersey Division of Parks and Forestry is prohibited.

The USDA Forest Service hereby gives notice that the information herein contained shall not create any warranty, expressed or implied. The person or organization using this information waives and relinquishes any and all claims against the United States of America, its officers, employees, and project cooperators, for any loss, damage, personal injury, or death incidental to, or occurring as a consequence of, the use of it.

The use of trade, firm, or corporation names in this publication is for the information and convenience of the reader. Such use does not constitute official endorsement or approval by the U.S. Department of Agriculture of any product or service to the exclusion of others that may be suitable.

GENERAL NOTES

- 1) Project Owner: NJDEP, Natural & Historic Resources, Division of Parks & Forestry; Mr. Jim Hall, Assistant Commissioner. 5 Station Plaza, 501 East State Street, Trenton, NJ 08625
- 2) These plans are provided as an addendum to the Pochuck Creek Timber Suspension Bridge Case Study. They are presented as a general planning tool. These plans are not a design standard or specification. Utilization of these plans by other organizations or consultants is prohibited without the explicit approval of the NJDEP, Natural and Historic Resources, Division of Parks and Forestry.
- 3) All dimension lumber, 2"-4" thick and 4" x 6" are Southern Yellow Pine #1 CCA .40 KDAT MC 19% meeting A.W.P.A. Standards C1 and C2, unless otherwise specified.
- 4) All 3" x 10" lumber and 6" x 6" timbers are Southern Yellow Pine #2 or better CCA .40 meeting A.W.P.A. Standards C1 and C2.
- 5) All connectors, screws, nails, spike grids, bolts, clips, joist hangers, and wire rope are hot dipped galvanized or equivalent meeting A.N.S.I. Standards. Walkway decking screwed with galvanized square drive 3" bugle head deck screws.
- 6) Twin Primary Wire Rope is 1" 6 x 25 Galvanized EIP IWRC, Suspenders are 1/2" EIP IWRC 6 x 19 galvanized wire rope (11.5 ton nominal breaking strength).
- 7) All construction to complies with the following unless otherwise noted: B.O.C.A. National Building Code 1993 Timber Construction Manual, A.I.T.C., Building Code Requirements for Reinforced Concrete A.C.I.-318. Floodproofing Non-Residential Structures FEMA 102-1986, AASHTO Pedestrian Rail Standard 2.7.3.2.1, NJDEP Flood Hazard Rules & Regulations, NJAC 7:13-1.1, NJDEP Freshwater Wetlands Act, NJAC 7:7A, Conditions of Stream Encroachment Permit 1922-93-0001.1 & Freshwater Wetlands Permit 1922-93-0001.2, Soil Erosion & Sediment Control Act, NJSA 4:24-3 & 4:24-42.
- 8) All decking was installed bark side up. All joists and stringers installed with camber up.
- 9) Vertical Datum N.G.V.D. 1929
- 10) Waywayanda Quad Sheet
N 875,000, E 2,053,600
Walkkill-Hudson River Watershed
- 11) Pochuck Creek is a nondelineated water course. Project designated 100 year water elevation is 400.0
- 12) Use of these plans for construction purposes is prohibited without the explicit approval of Tibor Latincsics, Conklin Associates, P.O. Box 282, Ramsey, N. J. 07446, (201) 327 0443.



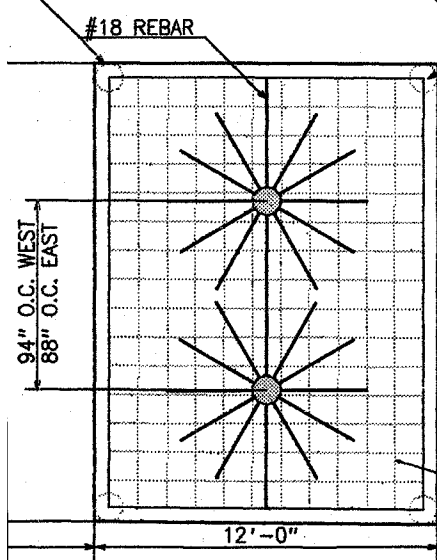
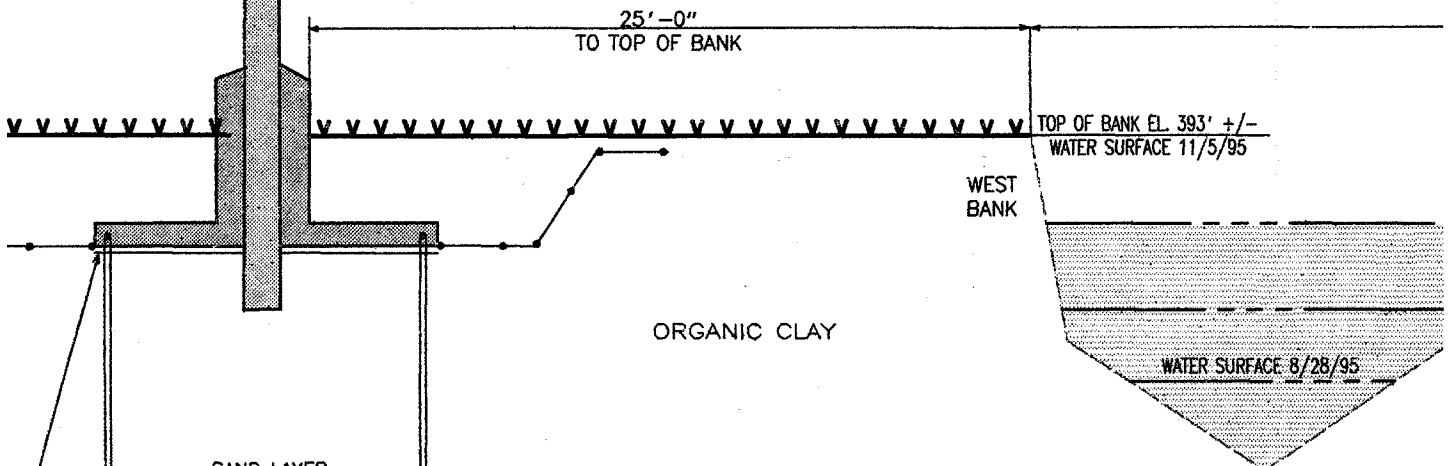
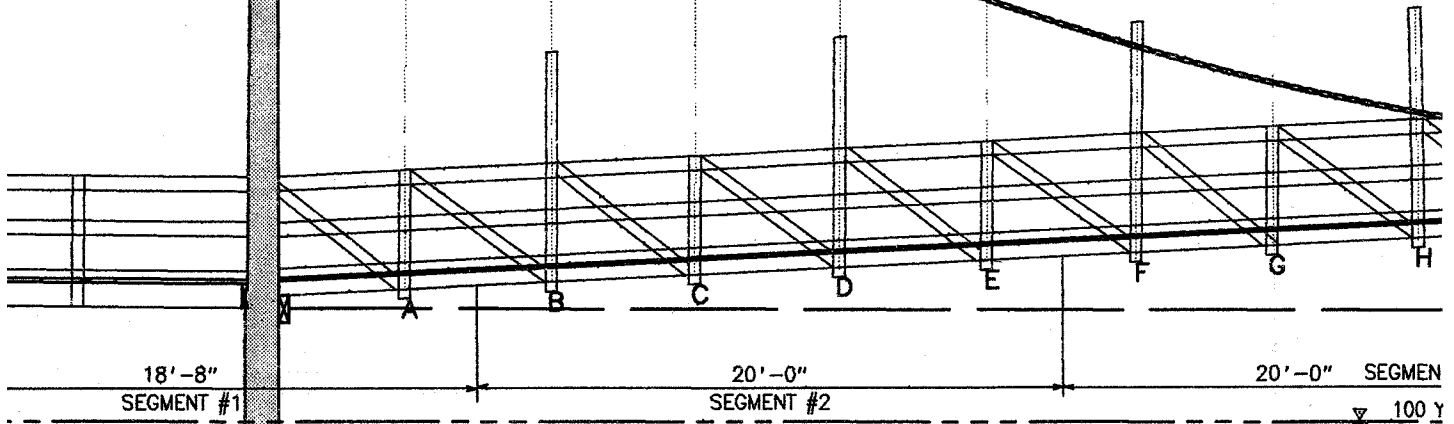
-11"

WEST TOWER

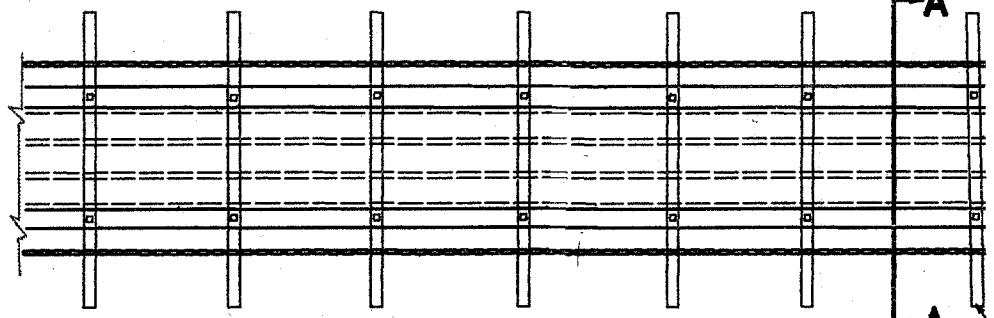
SADDLE CREST
EL. 427.42

NORTH CABLE SPAN = 110.20', DIP = 18.09', CATENARY = 117.42',
TOTAL LENGTH = 200.94', SAG EL. 409.52

WELDED SCREW ANCHOR
DETAIL



CHANGE SQUARE SHAFT HELICAL-PIER ANCHOR, CATALOG # C150-0031, 10' SHAFT, 10" HELIX, 4 PER TOWER, REBAR THREADED THRU EYE NUT. HELIX INSTALLED FROM 20' TO 32' DEPTH.



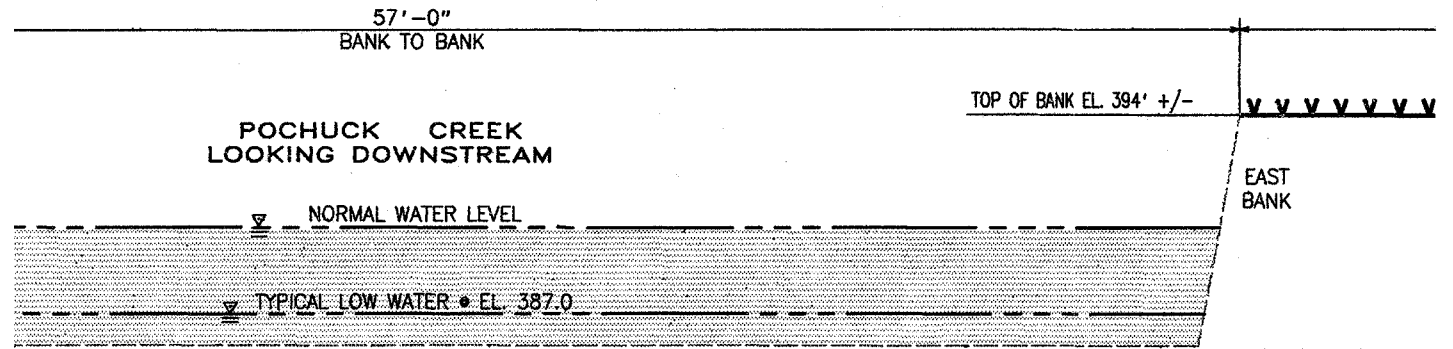
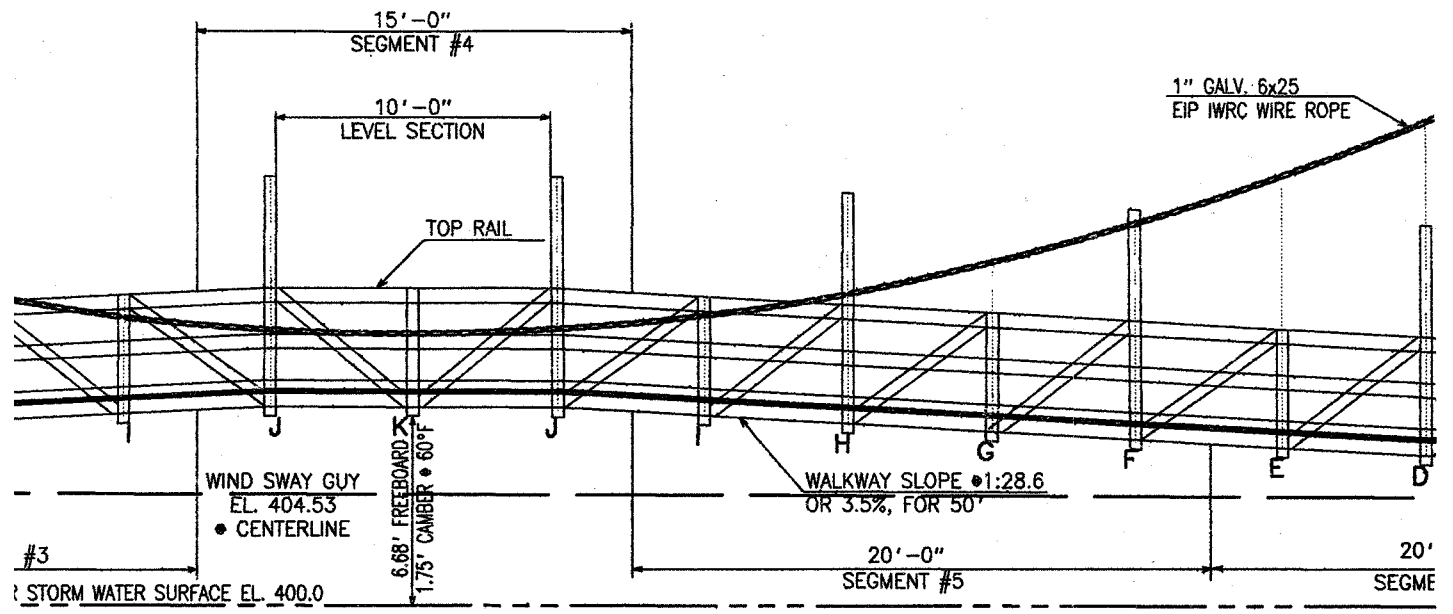
INTERIOR REBAR #6, 12" O.C. BOTH WAYS. PERIMETER REBAR #8, BOBKIN CONNECTION WITH GEOGRID, DOWELS #5 REBAR

SEE PLAN SHEET 2

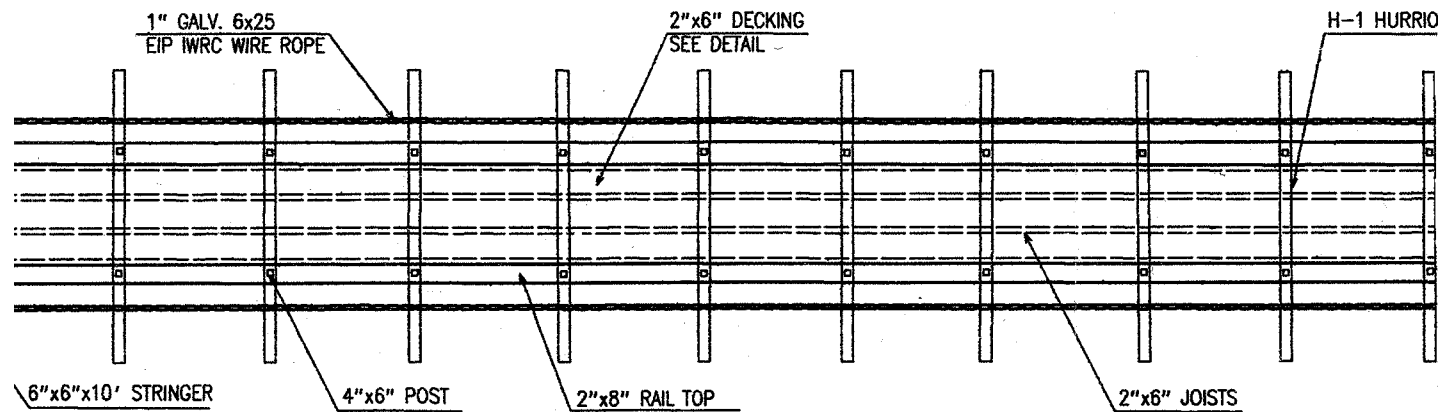
POCHUCK QUAGMIRE BRIDGE

SOUTH CABLE SPAN = 110.47', DIF
TOTAL LENGTH = 200.

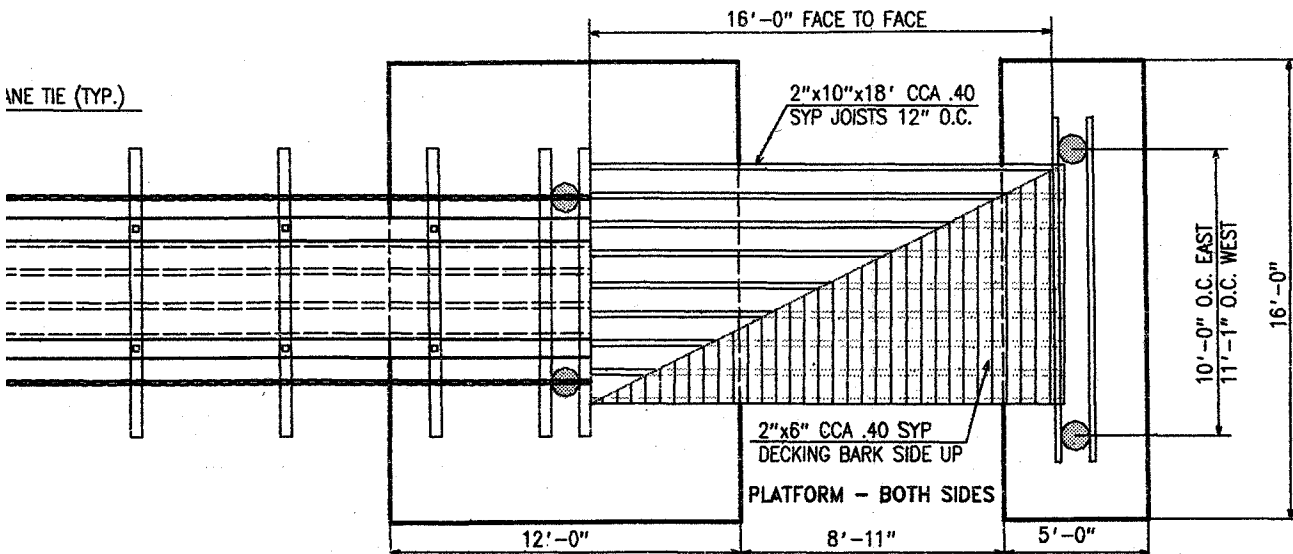
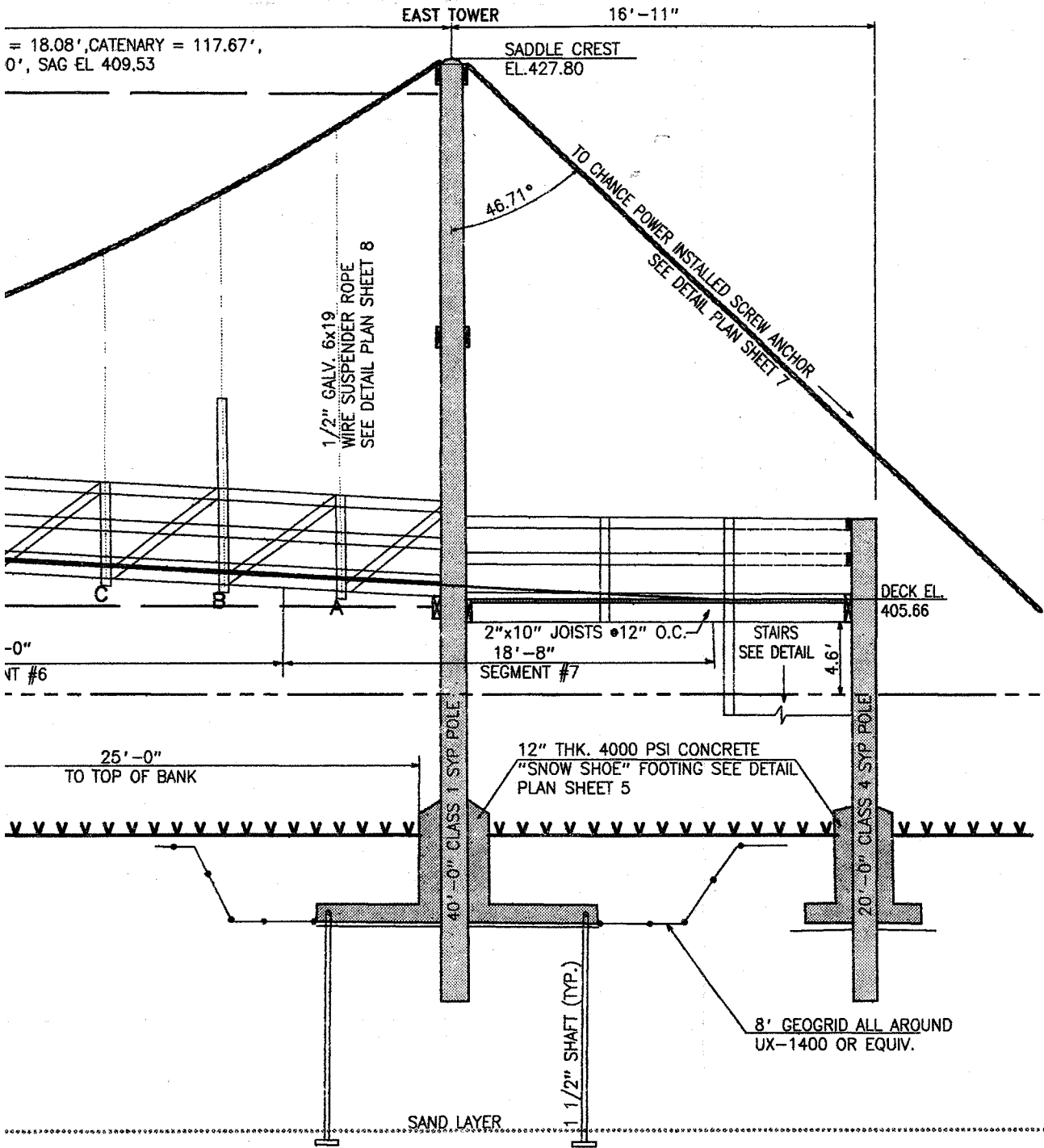
OVERHEAD 1/2" GALV. STEEL STRAND GUY WIRE



PROFILE VIEW
NOT TO SCALE



PLAN VIEW





Tibor Latinicsics
TIBOR LATINCSICS
PE 32444

CONKLIN ASSOCIATES

P.O. BOX 282
RAMSEY, NJ 07446
(201) 327 0443